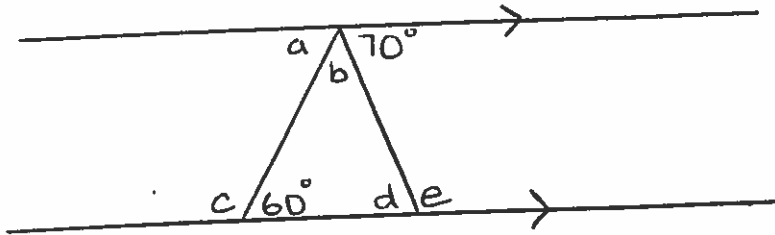


Name _____

REVIEW → Geometry

FIND THE MISSING ANGLES.



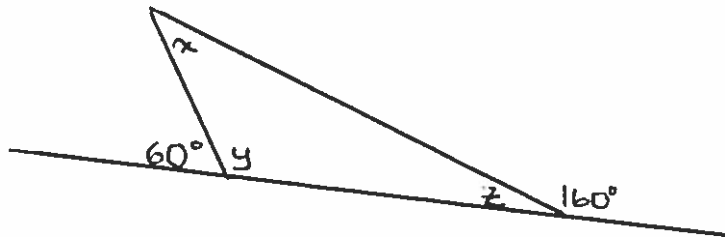
$a =$ _____

$b =$ _____

$c =$ _____

$d =$ _____

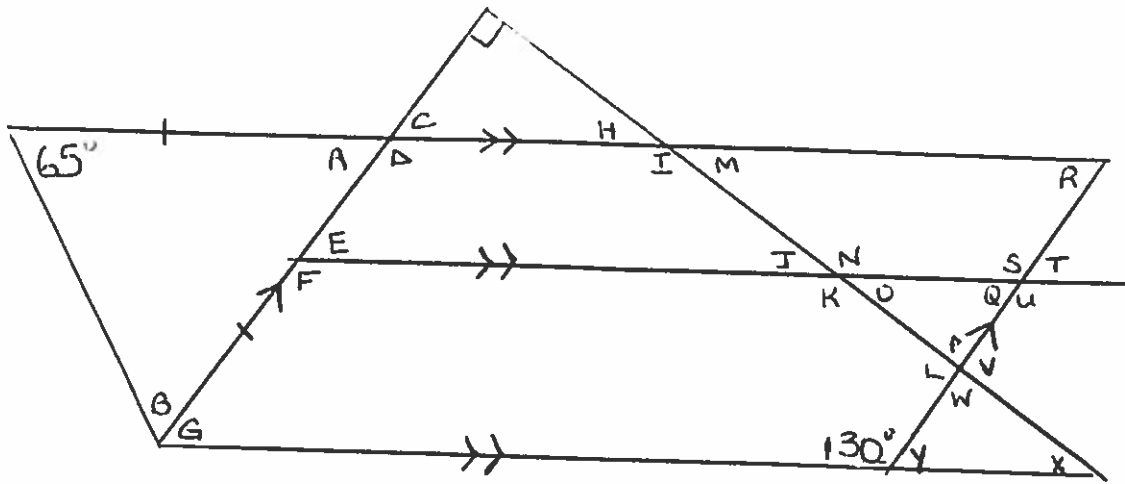
$e =$ _____



$x =$ _____

$y =$ _____

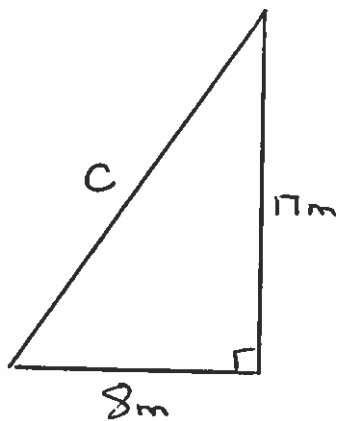
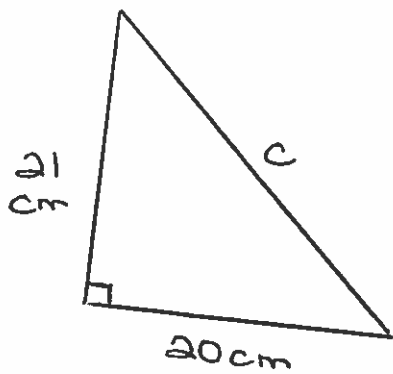
$z =$ _____



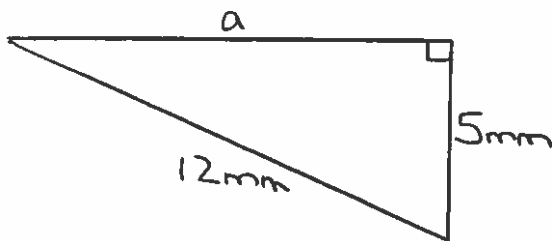
- D = _____
- B = _____
- P = _____
- V = _____
- E = _____
- T = _____
- G = _____
- H = _____
- I = _____
- K = _____
- L = _____
- Z = _____
- O = _____
- P = _____
- Q = _____
- R = _____
- S = _____

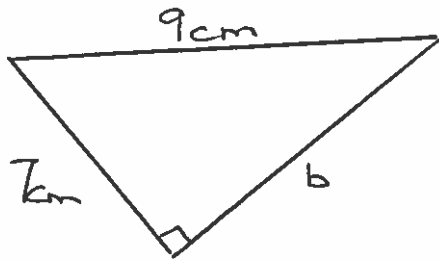
- T = _____
- U = _____
- V = _____
- W = _____
- X = _____
- Y = _____

FIND THE LENGTH OF THE HYPOTENUSE.



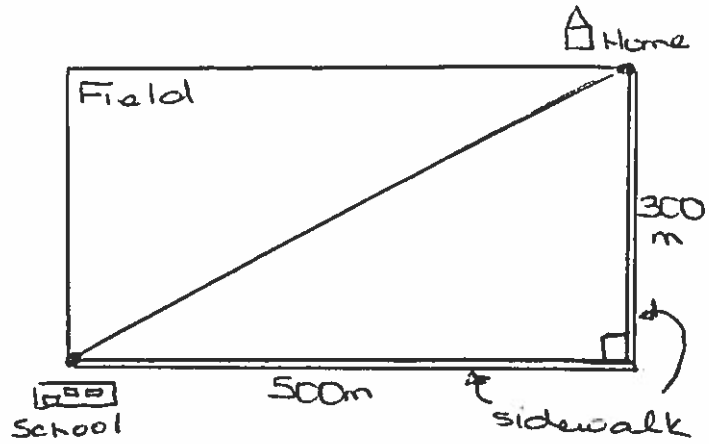
FIND THE LENGTH OF THE MISSING SIDE



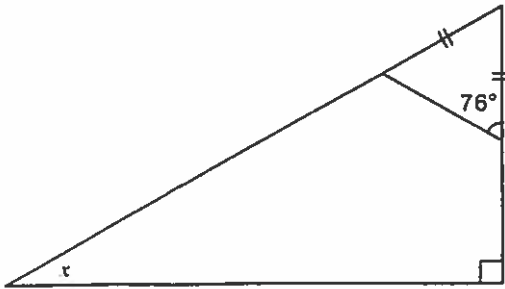


- * A 8m ladder is leaning against a house. It is 4.5m from the base of the wall. How high does the ladder reach? (hint... draw a diagram).

* Joanna usually uses the sidewalk when she walks home from school. Today she is late, and so she cuts through the field. How much shorter is Joanna's shortcut



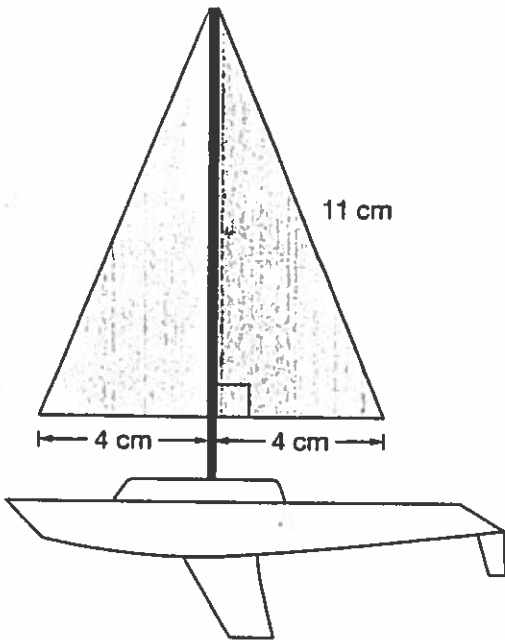
* Consider the following diagram.



What is the value of x ?

* Toy Sailboats

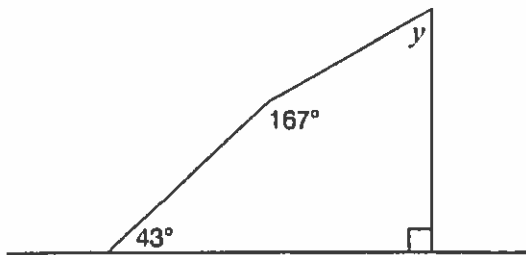
Emelina makes toy sailboats as shown below.



Determine the total area of the shaded sails.

Show your work.

* Consider the diagram below.

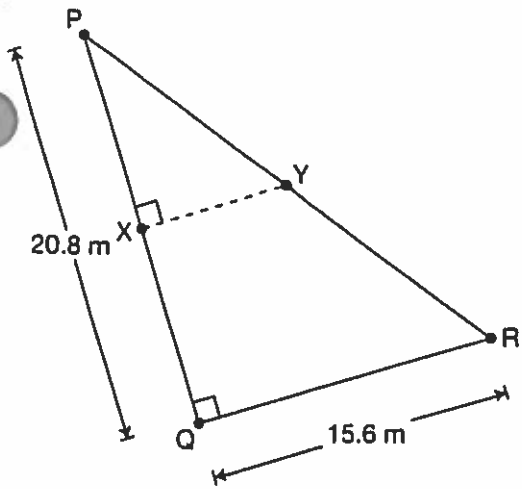


What is the value of y ?

- a 43°
- b 60°
- c 137°
- d 150°

* Show your work.

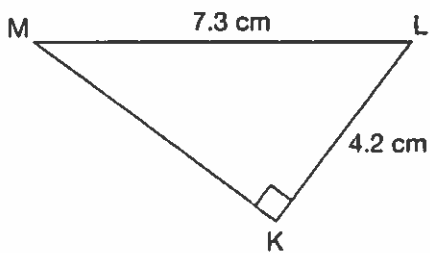
* Consider the right triangle below.



Line segment XY connects the midpoint of PQ to the midpoint of PR .

What is the length of XY ?

* Triangle KLM is shown below.



What is the perimeter of this triangle?

Jonah's house is due west of Marshfield and due south of Wildgrove. Marshfield is 12 kilometres from Jonah's house and 20 kilometres from Wildgrove. How far is Wildgrove from Jonah's house, measured in a straight line?